

Name: \_\_\_\_\_

1) A bottle of orange juice has a capacity of two liters. How many 250 ml cups can be filled using an entire bottle of orange juice? \_\_\_\_\_

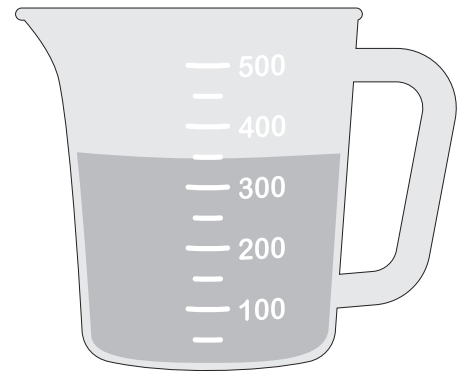
2) A cake recipe requires 350 ml of milk. How many liters of milk are needed to make six cakes? \_\_\_\_\_

3) A full ten-liter oil drum is used to fill six 1.5-liter containers. How much oil remains in the drum? \_\_\_\_\_

4) Water is poured into a measuring jug, as shown.

a) How many milliliters of water is in the jug? \_\_\_\_\_

b) How many more milliliters of water are needed to reach half a liter? \_\_\_\_\_



c) c) How would you estimate the capacity of the jug to the very top rim?

---

---

---

5) A pool has a capacity of 24,000 liters.

A garden hose is used to fill the pool. The hose can pump 20 liters of water per minute.

How many hours will it take to fill the pool?

Name: \_\_\_\_\_

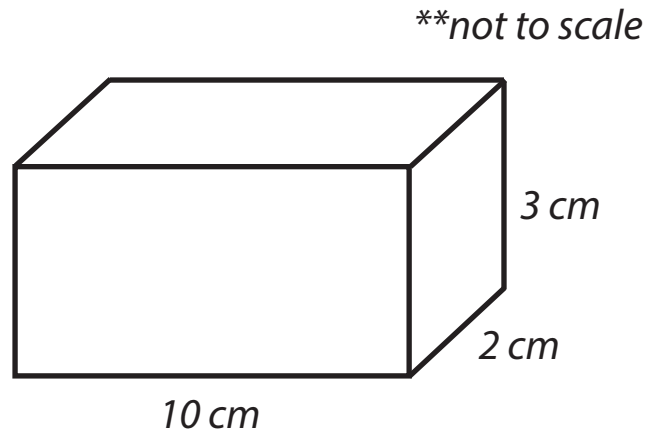
6) How is the volume of a rectangular prism calculated?

---

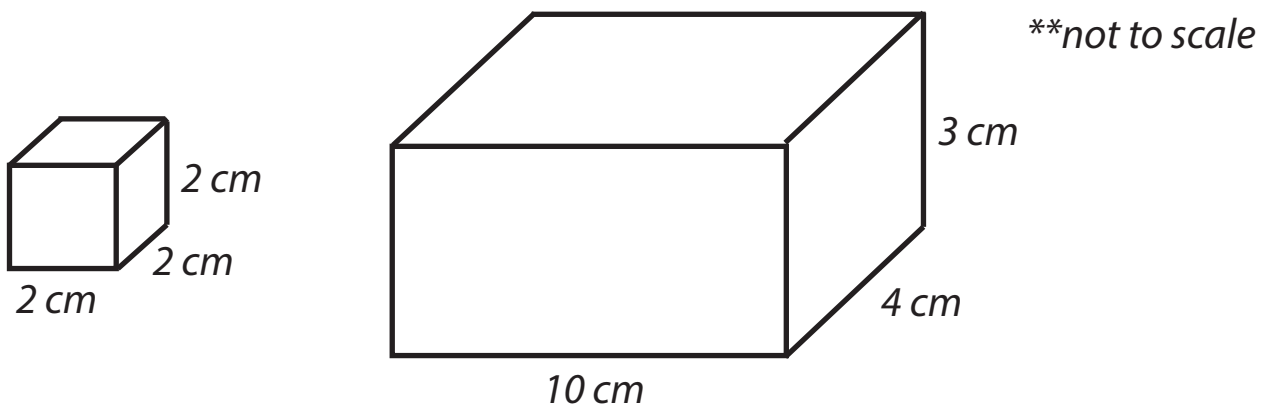
7) Remember: 1 ml is equivalent to  $1\text{cm}^3$ .

a) What is the volume of the rectangular prism? \_\_\_\_\_

b) How many milliliters of water would it take to fill the prism?



8) How many full cubes of water will it take to fill the rectangular prism? \_\_\_\_\_



9) Draw and label the dimensions of a rectangular prism with a capacity of 250ml.