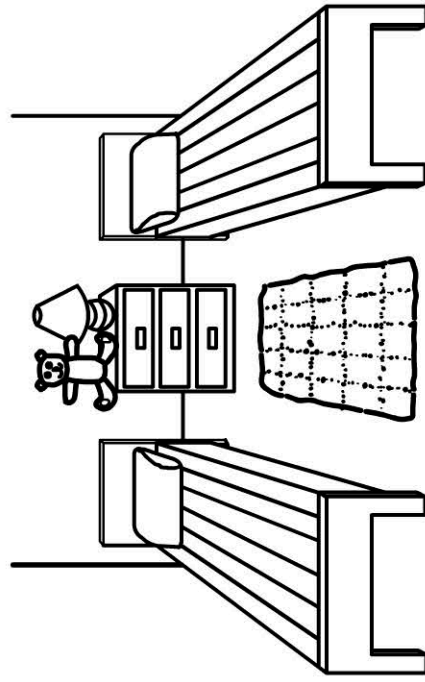
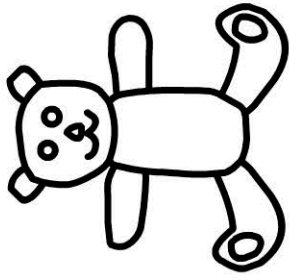


Where Is Teddy ?



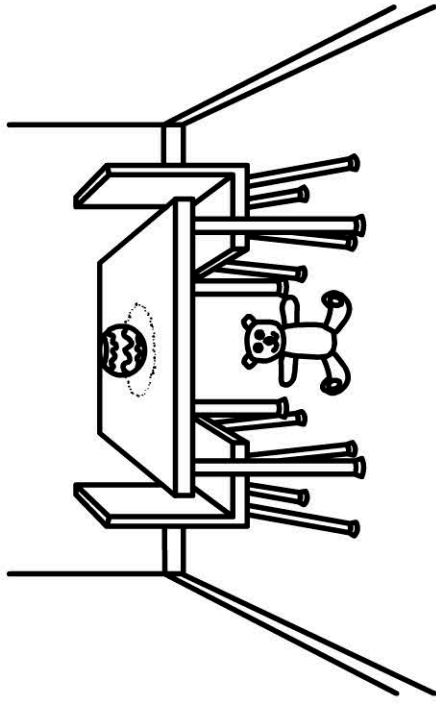
Teddy is in the

3

laundry.

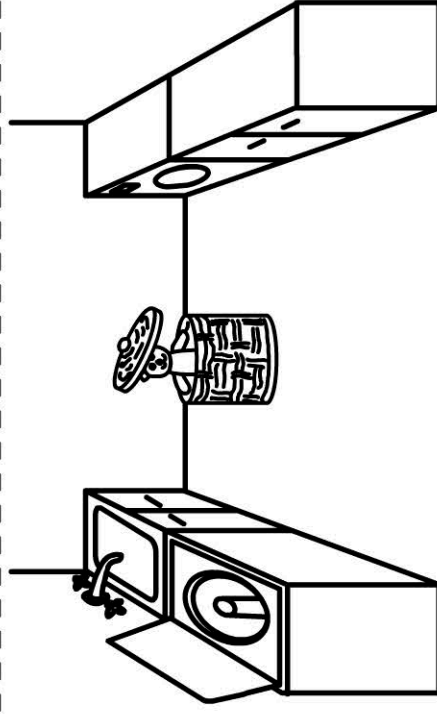
dining room.

bedroom.



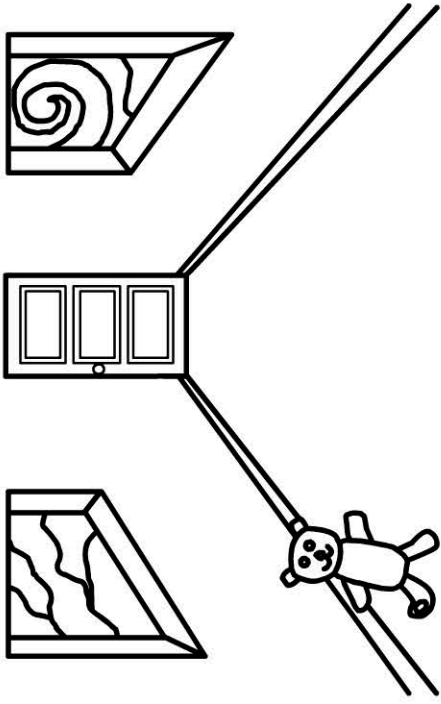
Teddy is in the

2



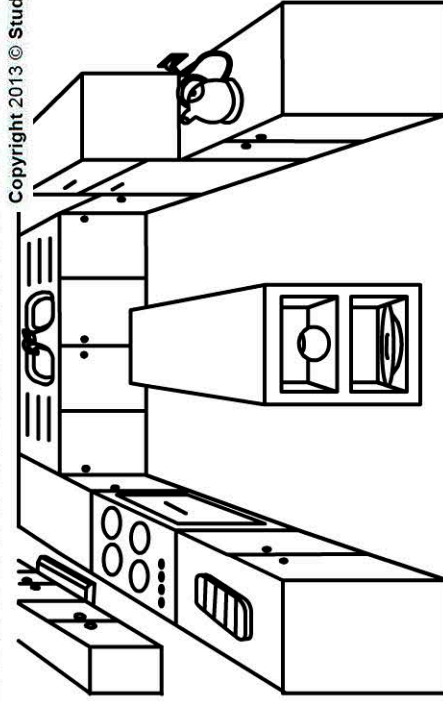
Teddy is in the

4



Teddy is in the

5



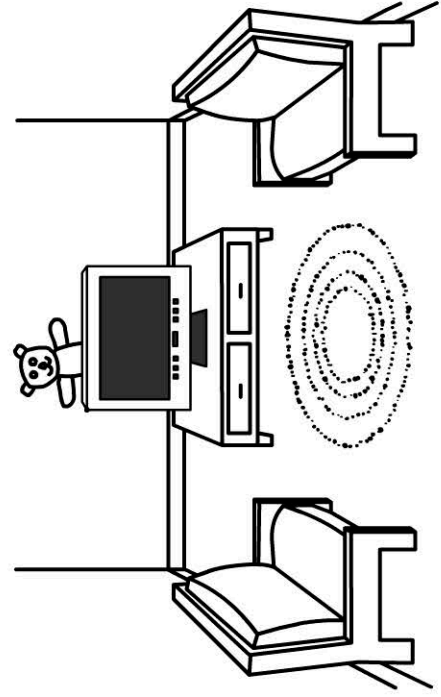
Teddy is in the

7

bathroom.

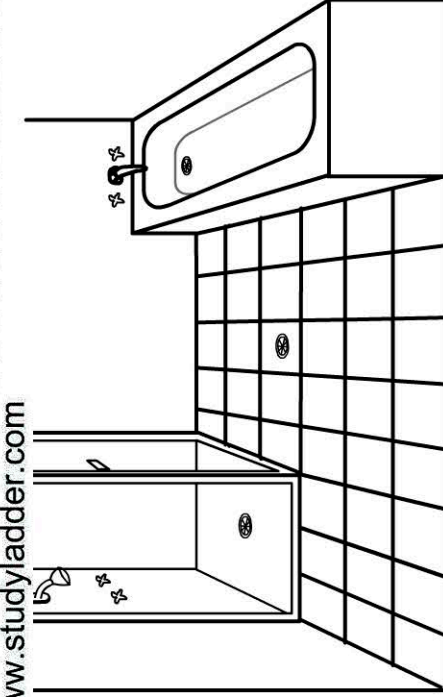
hallway.

kitchen.



Teddy is in the

6



Teddy is in the

8

lounge room.