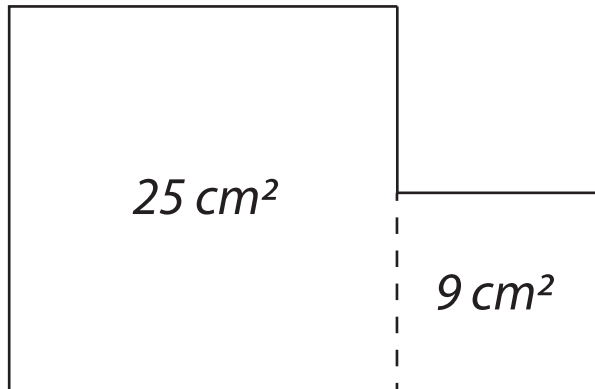


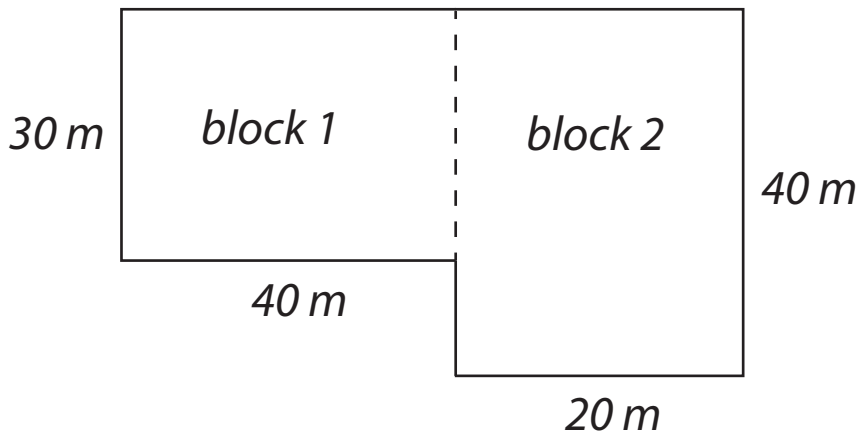
Name: _____

The shapes are not drawn to scale.

1) The size of each section is shown. What is the area of the whole shape?



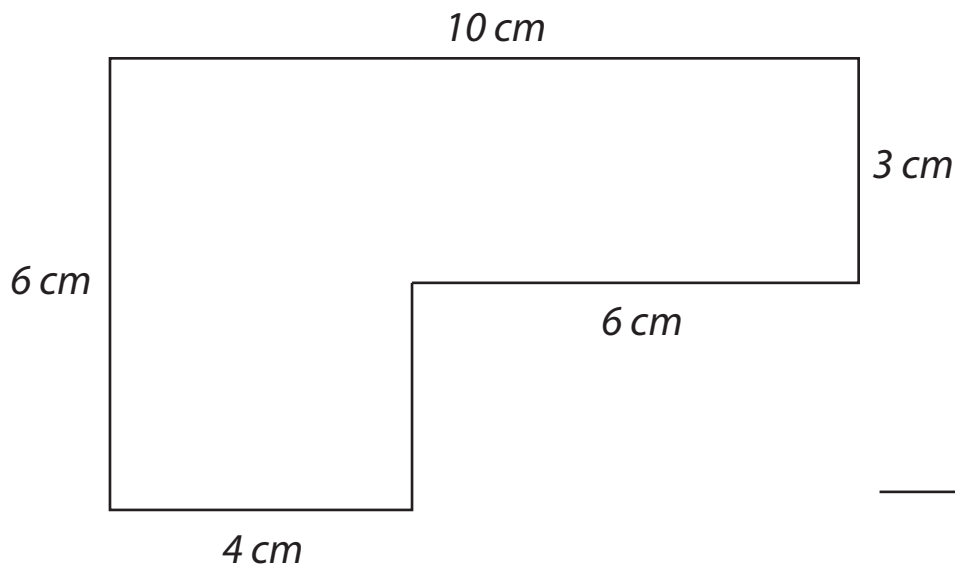
2) Sam wants to divide his land along the dotted line. What is the area of each smaller block?



Area of block 1 = _____

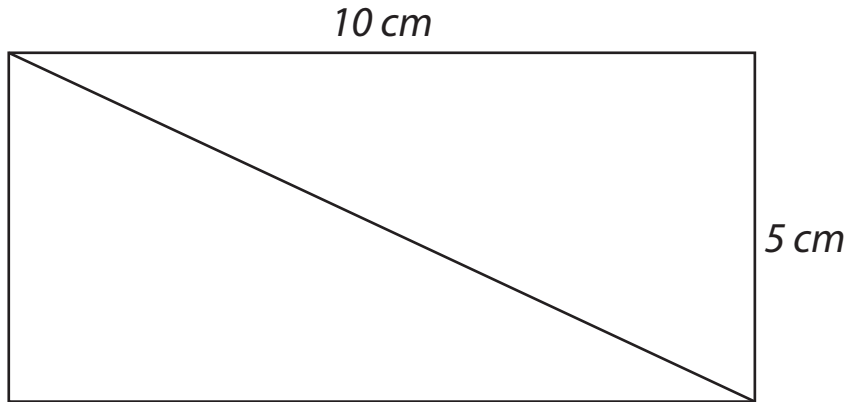
Area of block 2 = _____

3) Calculate the area of this shape.

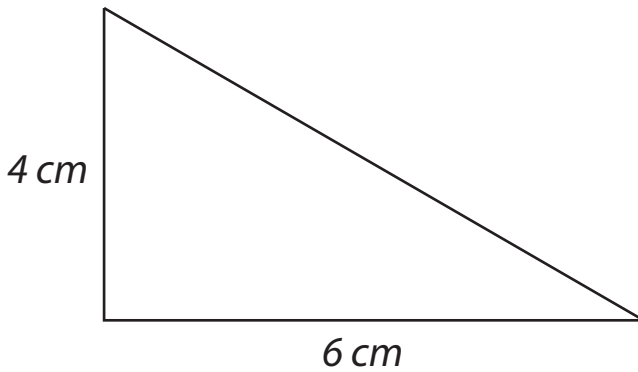


Name: _____

4) A line is drawn from each corner of this rectangle to create two triangles.
What is the area of each triangle? _____



5) Calculate the area of this right-angled triangle.



6) Each right-angled triangle has an area of four square centimeters.
Use this information to help you calculate the area of the parallelogram.

